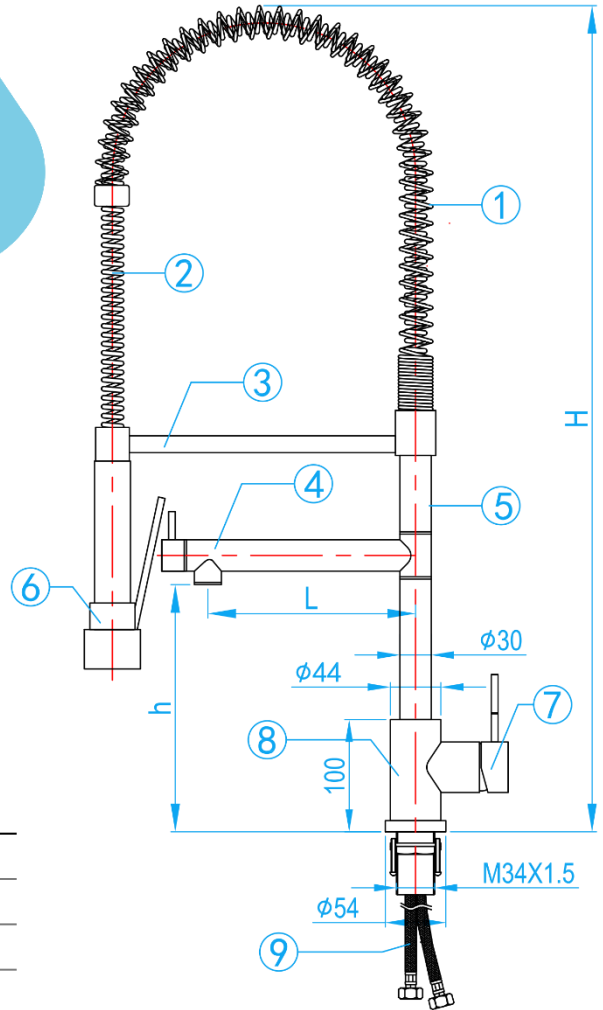
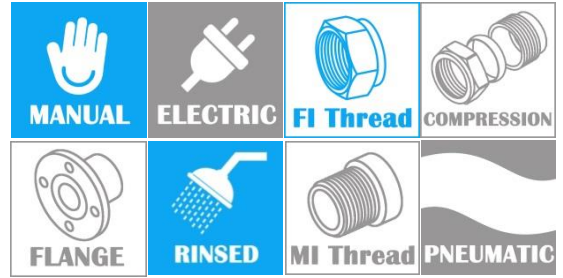


COMMERICAL PRE-RINSE HOT/COLD MIXER

COMPLY WITH BS EN 817:2008



SECTION VIEW

COMPONENT PARTS

ITEM	PARTS	MATERIAL
1	Spring	Stainless Steel Plating
2	Flex Hose	AISI304 + TPV
3	Bracket	Brass Plating
4	Pipe	Brass Plating
5	Pipe	Brass Plating
6	Nozzle Assembly	Brass Plating
7	Handle	Zinc Alloy Plating
8	Body & Piston	Brass Plating+ Ceramics
9	Hose	AISI304

STANDARD SPECIFICATIONS

Nominal pressure	8 Bar
Working Medium	Water
Working Temperature	0 °C~70 °C

SPECIFICATIONS

SKU	H (mm)	h (mm)	L (mm)	WATER INLET (inch)	WEIGHT (Kg)	PCS/CTN
NCP0213	510	220	185	1/2" BSP	2.940	5